

Product Specifications

Single Color Wi-Fi Control Card

HD-W04

V1.1 20190612

Overview

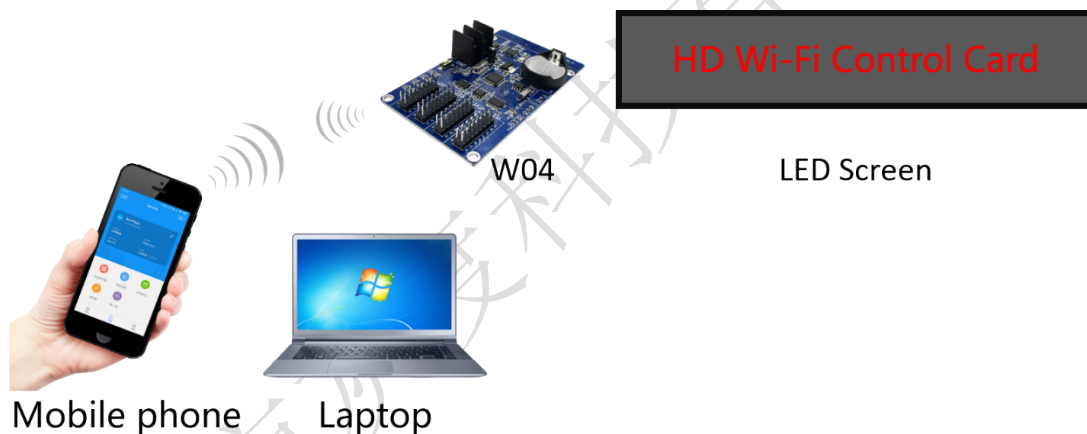
www.huidu.cn

W04 is a low cost, high cost-effective single color Wi-Fi controller, easy to operate, better display information, supports variety kinds of single-color display. For the door lintel screen, store screen and other places information display.

Application software: HD2018, HD2020 and LedArt (APP)

Connection demo

The mobile phone and laptop can be connected to the Wi-Fi hotspot of the control card to update the program.



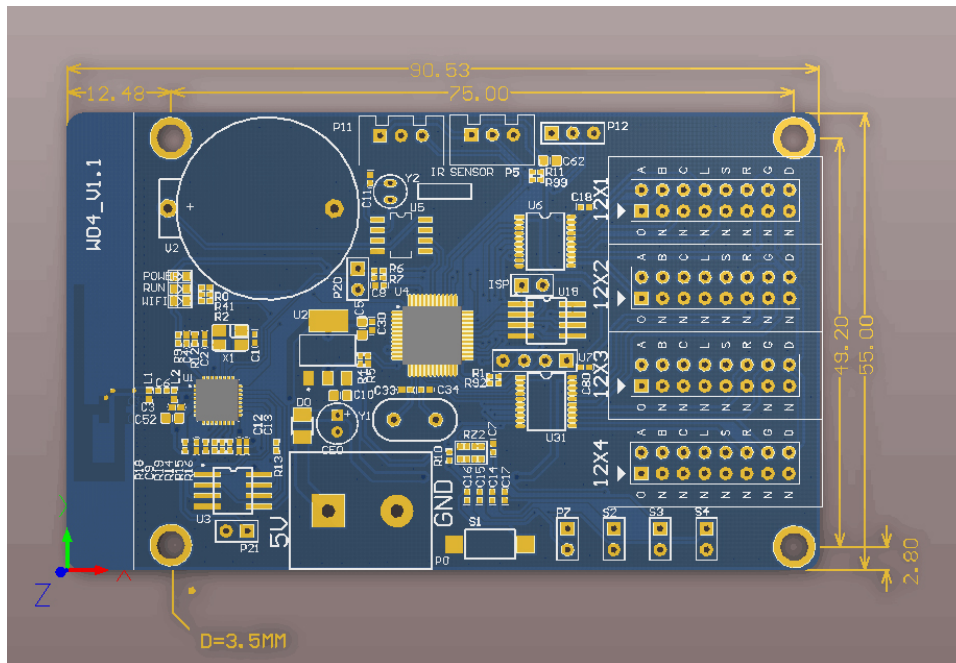
Features

1. Wi-Fi on board, Eliminate installation trouble
2. Support program border, regional border settings, custom borders
3. A variety of action display
4. Support for simple animations word
5. More than 40 kinds of text effects display
6. Support temperature, Humidity, IR remoter
7. Countdown, Count up, Button Countdown, Count up

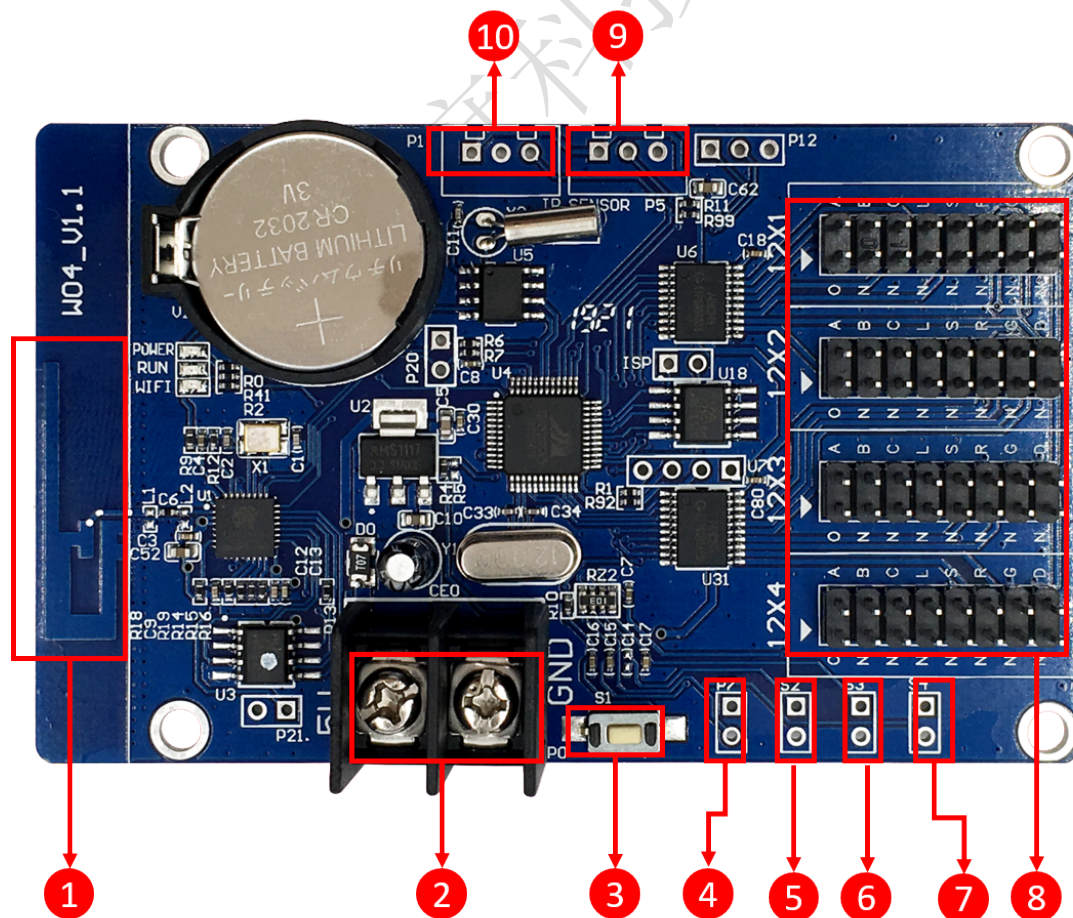
Functions

Control range	Single color: 512*64, 1024*32, 1536*16
FLASH Capacity	2M Byte
communication	Wi-Fi (within 15meters)
Program Quantity	Max 1000pcs, Can play by time section or control by buttons
Area Quantity	20 areas with separate zone, and separated special effects and border
Display Showing	Text, timing, temperate, humidity, Count, Lunar calendar
Display	Sequence display, button switch, remote control
Clock Function	<ol style="list-style-type: none">1、 Support Digital Clock, Dial Clock, Lunar Time2、 Countdown, Count up, Button Countdown, Count up3、 The Font, size, color and position can be set freely4、 support multiple time zones
Extended Equipment	Temperatures, Humidity, IR Remoter, Photosensitive sensor, etc.
Automatic Switch screen	Support timer switch machine
Dimming	Support three brightness adjustment mode

Dimension

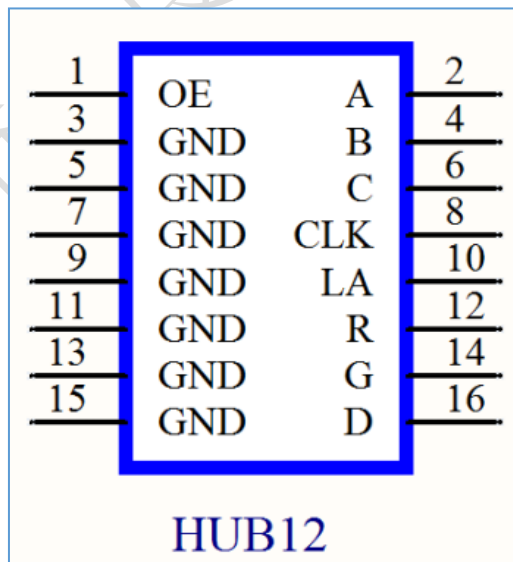


Setup Diagram



- ① Wi-Fi antenna, Connect the computer or mobile phone through Wi-Fi to send parameters and programs
- ② Power connector, Connect 5V power supply
- ③ S1 test button, Click to switch screen test status
- ④ P7: Connect the brightness sensor
- ⑤ S2: Connect the point switch, switch to next program, the timer starts, count plus
- ⑥ S3: Connect the point switch, switch the previous program, timer reset, count down
- ⑦ S4: Connect the point switch, program control, timing pause, count reset
- ⑧ HUB12: Connect the display
- ⑨ P5: Connect the temperature/humidity sensor
- ⑩ P11: Connect the IR, by remote control

HUB12port Definition



Technical Parameters

	Minimum	Typical	Maximum
Rated Voltage (V)	4.2	5.0	5.5
Storage temperature (°C)	-40	25	105
Work environment temperature (°C)	-40	25	80
Work environment humidity (%)	0.0	30	95

Precautions

- To ensure that the control card is stored during normal operation, make sure the battery on the control card is not loose.
- In order to ensure the long-term stable operation of the system, please try to use the standard 5V power supply voltage.